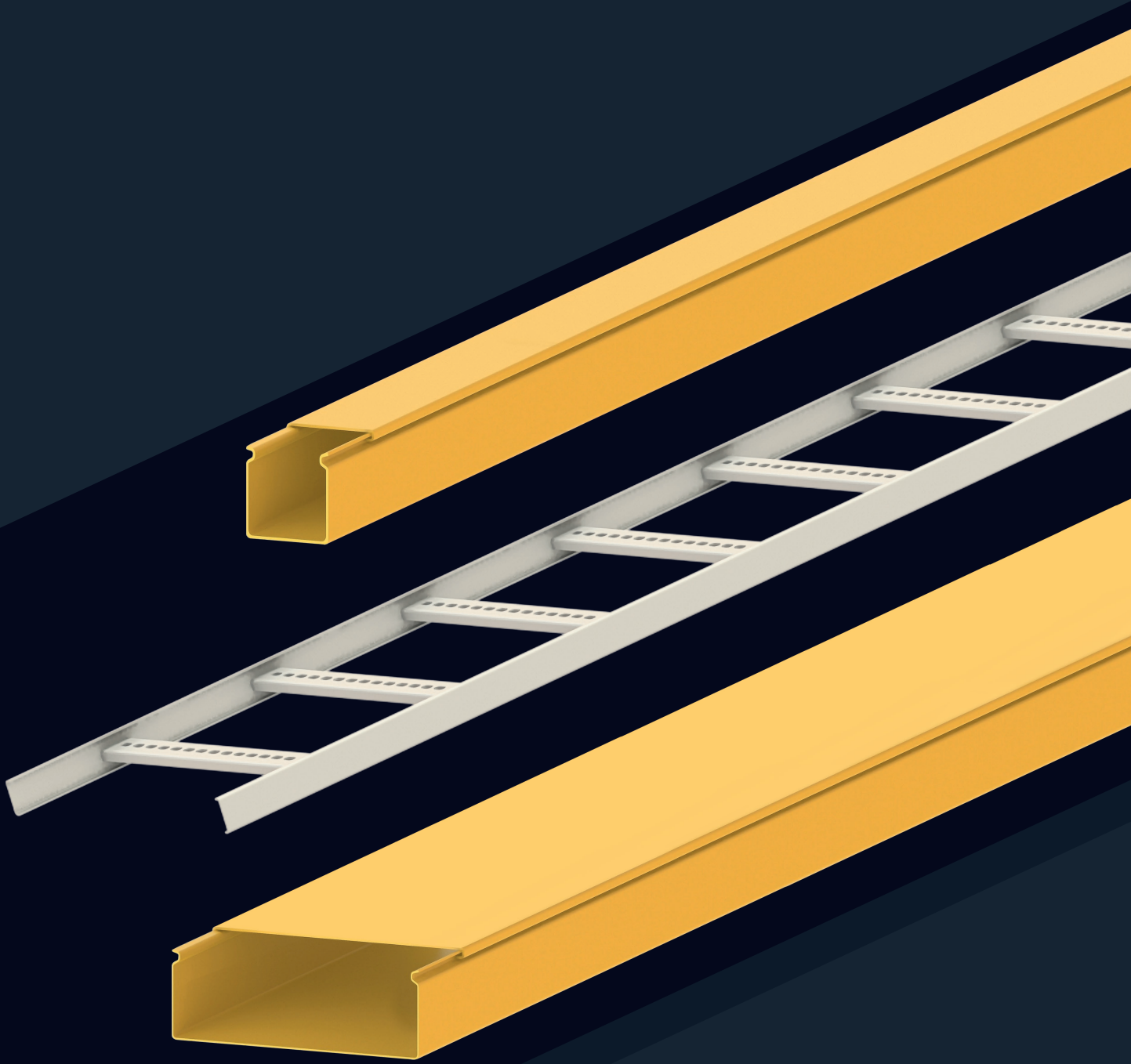




DATA CENTER
SOLUTIONS



CABLING STRUCTURES



Founded in 2003, SMM Technology offers cutting-edge products and services in the fields of telecommunication infrastructure and data center by producing in line with the expectations and needs of its customers.

With more than 20 years of experience, SMM Technology has become one of the important suppliers of Europe in terms of capacity, technology and innovation by continuously investing in production, technology, R&D and people.

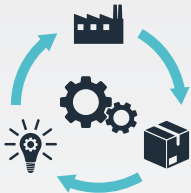
SMM Teknoloji produces high performance fiber optic cables, fiber optic cable assemblies, data center infrastructure products and structured cabling solutions in its two factories located in the Gosb/Gebze industrial zone.

SMM also has a ministry-approved research and development center since 2017.



20+ Years' Experience

With more than 200 employees and 2 factories, we have achieved several significant projects in telecommunication fiber optic infrastructure.



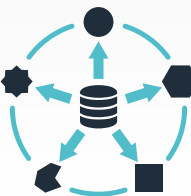
World Class Production

With systematic and scientific methods, we always focus on reaching the highest quality in our fiber optic cable production and assembly lines.



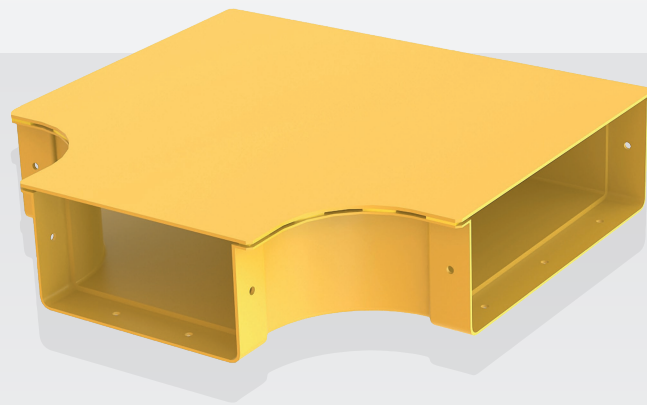
Connecting Continents

An advantageous shipping location, at the intersection of Asia, Europe and the Middle-East.



Innovative Solutions

We are passionate about responding to customer demand and keeping pace with the ever-evolving telecommunication and fiber optic technologies.



DATA CENTER RACEWAY STRUCTURES

Fiber Raceway Systems

SAMM's fiber optic cabling raceway system is a fully enclosed ducting system that segregates, routes, and protects fiber optic cables and jumpers from building entry point to fiber termination and distribution equipment. With the raceway system, fiber cables are easily traced and accessed through the convenient fully wrap-around, lay-in design of the raceway channels.

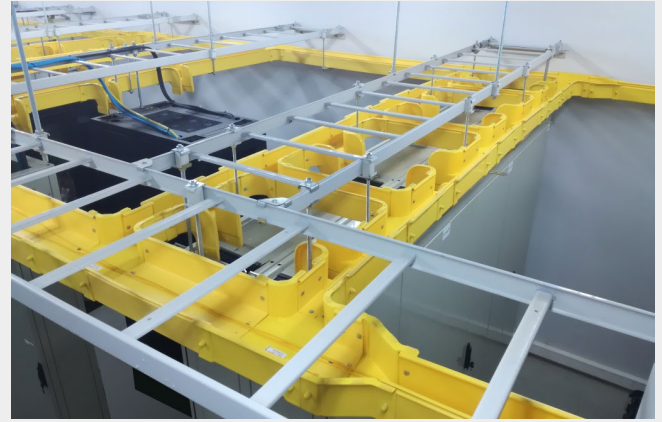
Straight channels and various curved fittings are specifically designed to prevent fibers from violating a 50mm minimum bending radius requirement, and they also protect fibers from snagging, crimping, and stress.

The raceway system's modular design and extensive mounting kit selection enable project engineers to meet cable capacity requirements and future expansion needs using existing superstructure or cable and equipment racking.

The flexibility and simplicity of the SAMM's raceway system ensures cost-effective installations for new or existing cable routes in Central Offices, CEVs, Head-ends, Remote Offices, Data Centers, and Wiring Closets.

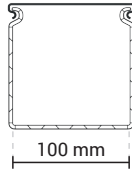
Technical Features

- All exposed surfaces are textured
- High impact thermoplastic robust design, PC/ABS blend
- Flammability rating of V-0 according to UL 94
- Hardware-free covers on all components
- Halogen-free (RoHS compliant)
- Robust and strong product design
- Versatile mounting kits
- Internal cable retainers

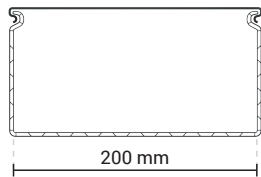


Straight Raceway Channels

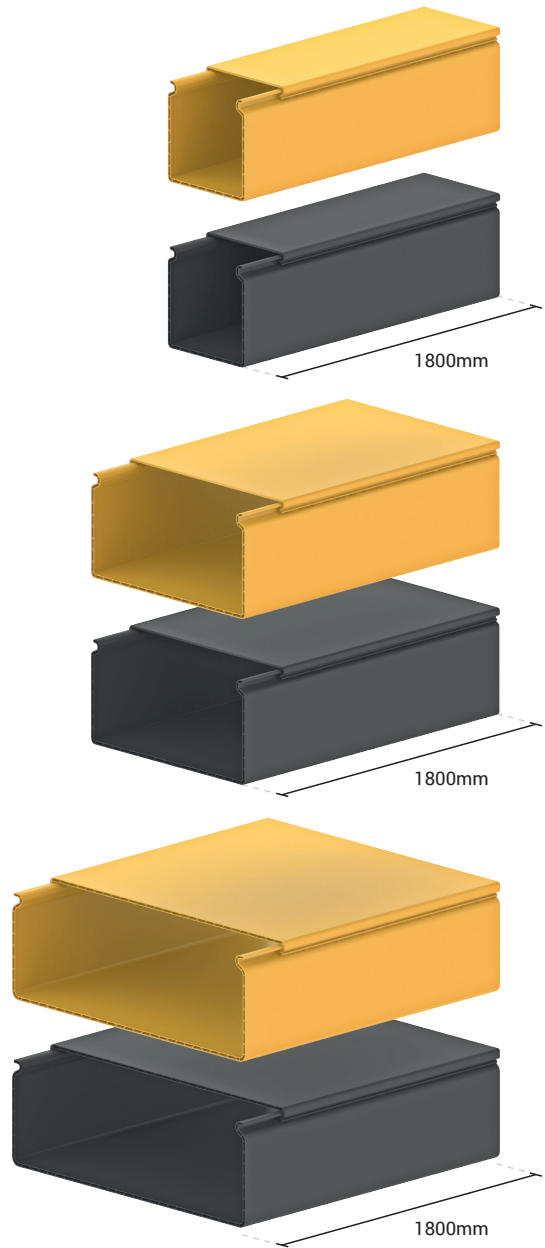
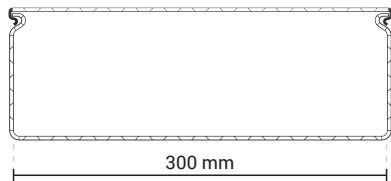
Description	Order Code	
	Yellow	Black
100mm_Solid Channel, W/O Cover	HT00348	HT02490
100mm_Solid Channel Cover	HT00349	HT02491
100mm_Solid Channel, W/ Cover	YT00252	YT01448



200mm_Solid Channel, W/O Cover	HT00437	HT02233
200mm_Solid Channel Cover	HT00438	HT02234
200mm_Solid Channel, W/ Cover	YT00302	YT01314



300mm_Solid Channel, W/O Cover	HT00435	HT02225
300mm_Solid Channel Cover	HT00436	HT02226
300mm_Solid Channel, W/ Cover	YT00070	YT01309



Usable Filling Capacities

	Cable Diameter mm	Duct 100 x 100	Duct 100 x 200	Duct 100 x 300	Tube 50 D.	Tube 100 D.
Recommended	1.7	960	1920	2880	-	-
	2	721	1443	2164	-	-
	2.4	500	1000	1500	-	-
	3	320	640	960	-	-
Maximum	1.7	1728	3456	5184	250	500
	2	1298	2597	3895	208	415
	2.4	905	1810	2715	144	288
	3	580	1160	1740	100	200

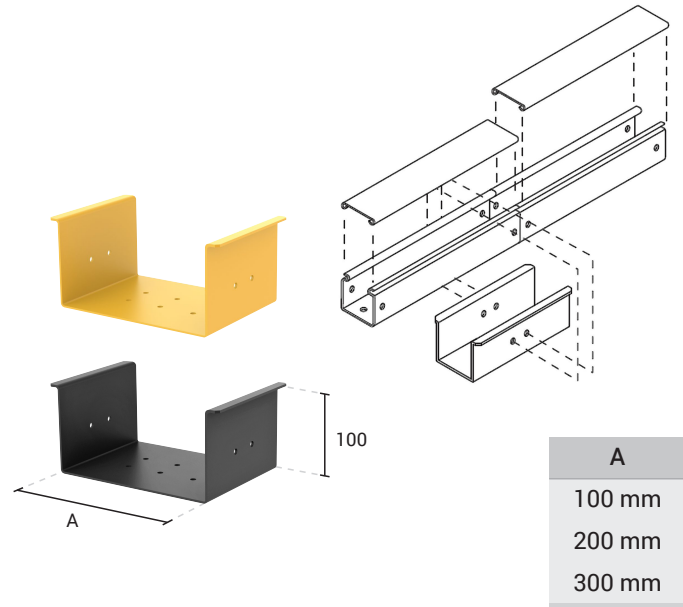
Recommended numbers are according to Telcordia 449 (maximum 50 mm pile height)

Raceway Assemblies

Channel to Channel Assembly

To assemble straight raceway sections that are longer than 1.8 meters (the length of one straight channel), individual straight channels can be joined together using a channel splice fitting. Just position the end of each channel half way into the channel fitting, making them meet in the middle. Then, drill the channels through the splice fitting holes and fasten both sides using M6 mushroom head bolts and nuts.

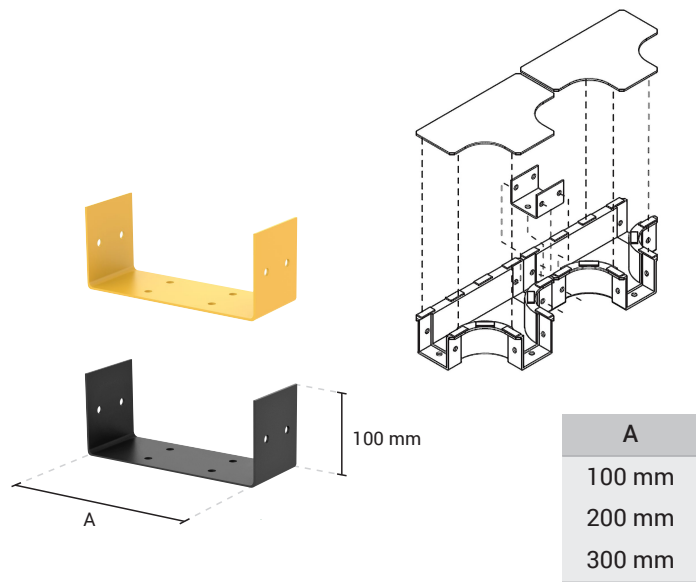
Description	Order Code	
	Yellow	Black
100mm_Solid Channel Fitting	YT00249	YT01686
200mm_Solid Channel Fitting	YT00299	YT01315
300mm_Solid Channel Fitting	YT00251	YT01310



Fitting to Fitting Assembly

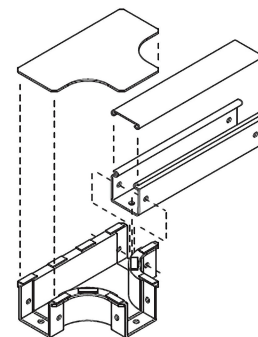
To assemble two curved fittings together easily, a special splice fitting is designed to fit within the female receptacle part on each curved fitting. Simply place the splice fitting into the curved fitting's receptacle. Using M6 mushroom head bolts and nuts, attach the two components together, then position the second curved fitting over the splice fitting and fasten it in the same way.

Description	Order Code	
	Yellow	Black
100mm_Accessory Fitting	YT00127	YT01687
200mm_Accessory Fitting	YT00075	YT01688
300mm_Accessory Fitting	YT00254	YT01689



Fitting to Channel Assembly

All fittings are designed with female receptacles at their outlets. These receptacles are dimensionally designed to accept straight channels without the use of additional parts or junction kits. This helps to reduce the total number of parts required for typical installations. Fewer parts to install translates into reduced material costs and assembly time. To install a fitting to the end of a straight channel, simply slip the channel into the receptacle of the fitting, and fasten the two components using M6 mushroom head bolts and nuts. When complete, the channel cover fits under the fitting cover, eliminating any gaps.

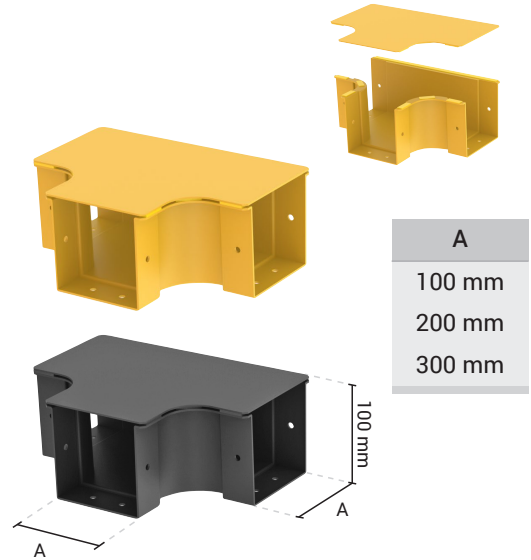


No Accessory Fitting Required!

Raceway Fittings

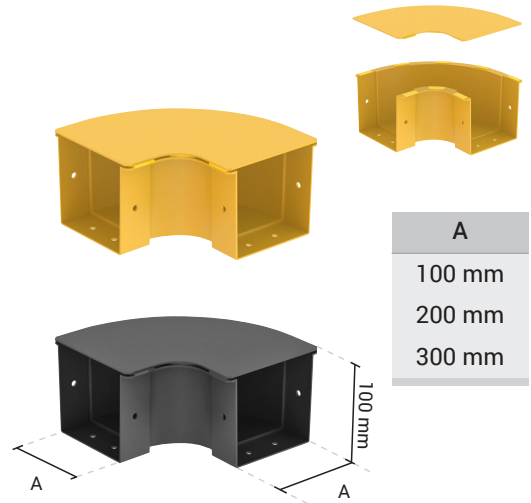
Horizontal "T" Connections

Description	Order Code	
	Yellow	Black
100mm_Horizontal "T" Connection, W/O Cover	HT00334	HT02878
100mm_Horizontal "T" Connection Cover	HT00335	HT02879
100mm_Horizontal "T" Connection, W/ Cover	YT00241	YT01690
200mm_Horizontal "T" Connection, W/O Cover	HT00622	HT02757
200mm_Horizontal "T" Connection Cover	HT00623	HT02758
200mm_Horizontal "T" Connection, W/ Cover	YT00304	YT01618
300mm_Horizontal "T" Connection, W/O Cover	HT00371	HT02229
300mm_Horizontal "T" Connection Cover	HT00372	HT02230
300mm_Horizontal "T" Connection, W/ Cover	YT00086	YT01312



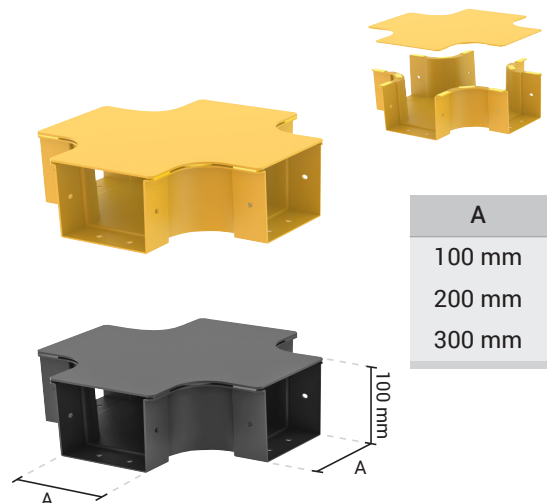
90° Horizontal Elbows

Description	Order Code	
	Yellow	Black
100mm_Horizontal Elbow, W/O Cover	HT00337	HT02880
100mm_Horizontal Elbow Cover	HT00336	HT02881
100mm_Horizontal Elbow, W/ Cover	YT00242	YT01691
200mm_Horizontal Elbow, W/O Cover	HT00624	HT02759
200mm_Horizontal Elbow Cover	HT00625	HT02760
200mm_Horizontal Elbow, W/ Cover	YT00303	YT01619
300mm_Horizontal Elbow, W/O Cover	HT00362	HT02227
300mm_Horizontal Elbow Cover	HT00361	HT02228
300mm_Horizontal Elbow, W/ Cover	YT00256	YT01311



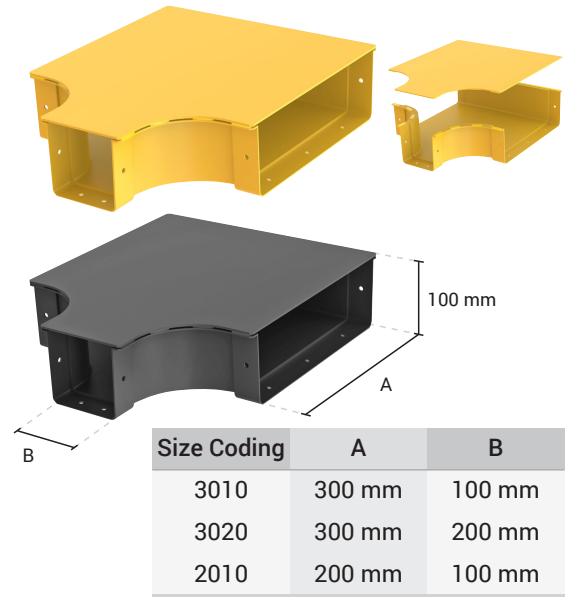
4-Way Cross Connections

Description	Order Code	
	Yellow	Black
100mm_4 Way Cross Connection, W/O Cover	HT00344	HT02882
100mm_4 Way Cross Connection Cover	HT00345	HT02883
100mm_4 Way Cross Connection, W/ Cover	YT00246	YT01692
200mm_4 Way Cross Connection, W/O Cover	HT00656	HT02761
200mm_4 Way Cross Connection Cover	HT00657	HT02762
200mm_4 Way Cross Connection, W/ Cover	YT00309	YT01620
300mm_4 Way Cross Connection, W/O Cover	HT00396	HT02763
300mm_4 Way Cross Connection Cover	HT00397	HT02764
300mm_4 Way Cross Connection, W/ Cover	YT00227	YT01621



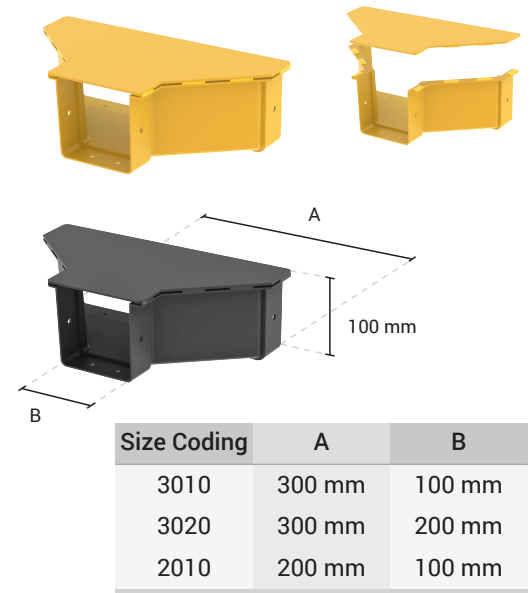
Horizontal "T" Reducers

Description	Order Code	
	Yellow	Black
3010_Horizontal "T" Reducer, W/O Cover	HT00346	HT02884
3010_Horizontal "T" Reducer Cover	HT00347	HT02885
3010_Horizontal "T" Reducer, W/ Cover	YT00247	YT01693
3020_Horizontal "T" Reducer, W/O Cover	HT00645	HT02886
3020_Horizontal "T" Reducer Cover	HT00646	HT02887
3020_Horizontal "T" Reducer, W/ Cover	YT00313	YT01694
2010_Horizontal "T" Reducer, W/O Cover	HT00647	HT02888
2010_Horizontal "T" Reducer Cover	HT00648	HT02889
2010_Horizontal "T" Reducer, W/ Cover	YT00312	YT01695



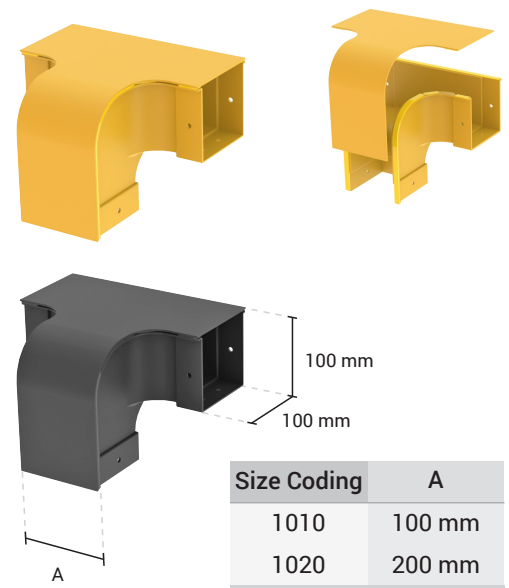
Horizontal Line Reducers

Description	Order Code	
	Yellow	Black
3010_Horizontal Reducer, W/O Cover	HT00366	HT02890
3010_Horizontal Reducer Cover	HT00365	HT02891
3010_Horizontal Reducer, W/ Cover	YT00257	YT01696
3020_Horizontal Reducer, W/O Cover	HT00660	HT02231
3020_Horizontal Reducer Cover	HT00661	HT02232
3020_Horizontal Reducer, W/ Cover	YT00073	YT01313
2010_Horizontal Reducer, W/O Cover	HT00662	HT02892
2010_Horizontal Reducer Cover	HT00663	HT02893
2010_Horizontal Reducer, W/ Cover	YT00314	YT01697



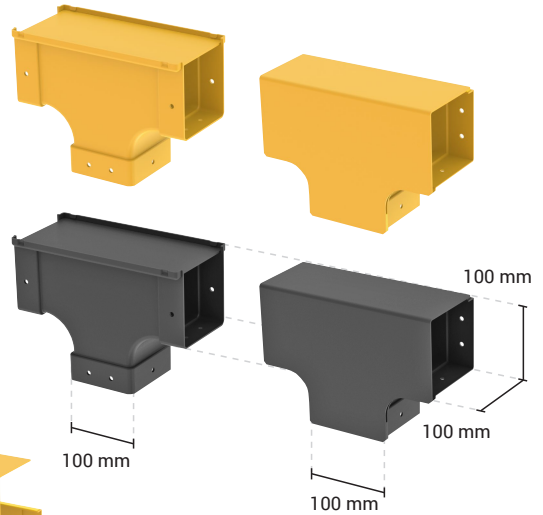
Vertical Offset Drops | 100 mm

Description	Order Code	
	Yellow	Black
1010_Vertical Offset Drop, W/O Cover	HT00637	HT02894
1010_Vertical Offset Drop Cover	HT00638	HT02895
1010_Vertical Offset Drop, W/ Cover	YT00298	YT01698
1020_Vertical Offset Drop, W/O Cover	HT00640	HT02896
1020_Vertical Offset Drop Cover	HT00639	HT02897
1020_Vertical Offset Drop, W/ Cover	YT00563	YT01699



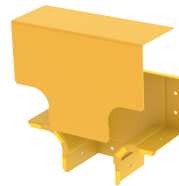
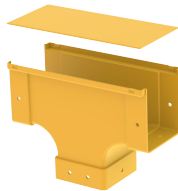
Vertical Line Drops | 100 mm

Description	Order Code	
	Yellow	Black
100mm_Top Side Open Vertical Drop, W/O Cover	HT00753	HT02898
100mm_Top Side Open Vertical Drop Cover	HT00754	HT02899
100mm_Top Side Open Vertical Drop, W/ Cover	YT00734	YT01700
100mm_One Side Open Vertical Drop, W/O Cover	HT00342	HT02900
100mm_One Side Open Vertical Drop Cover	HT00343	HT02901
100mm_One Side Open Vertical Drop, W/ Cover	YT00245	YT01701



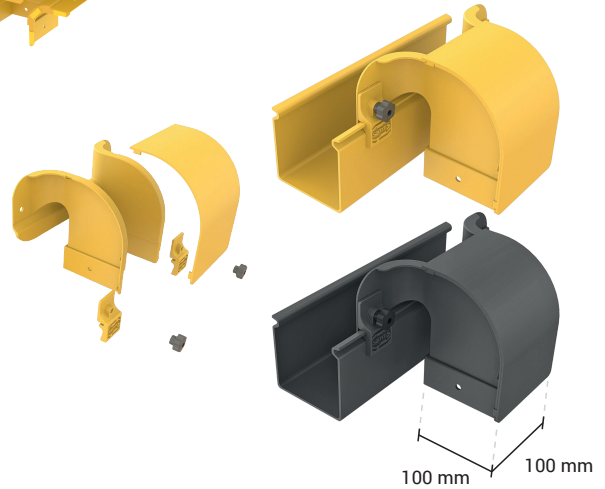
Top Side Open

One Side Open



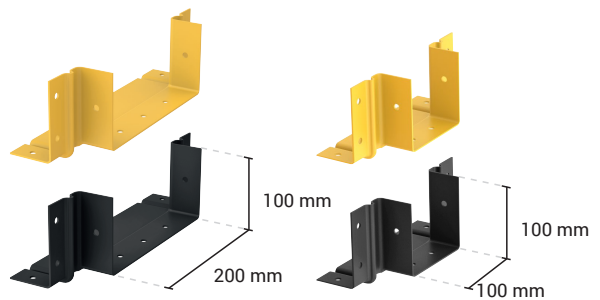
Quick Drop | 100 mm

Description	Order Code	
	Yellow	Black
1010_Vertical Quick Drop W/ Cover	YT01173	YT01306

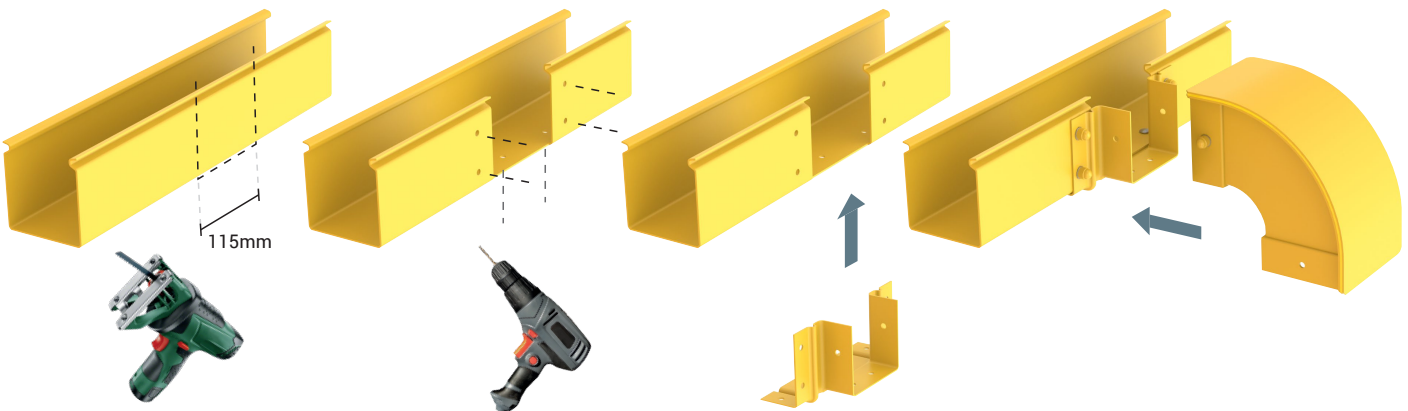


Cut-off Drop Connection

Description	Order Code	
	Yellow	Black
100mm_Cut-off Drop Connection	YT00286	YT01702
200mm_Cut-off Drop Connection	YT01321	YT01703

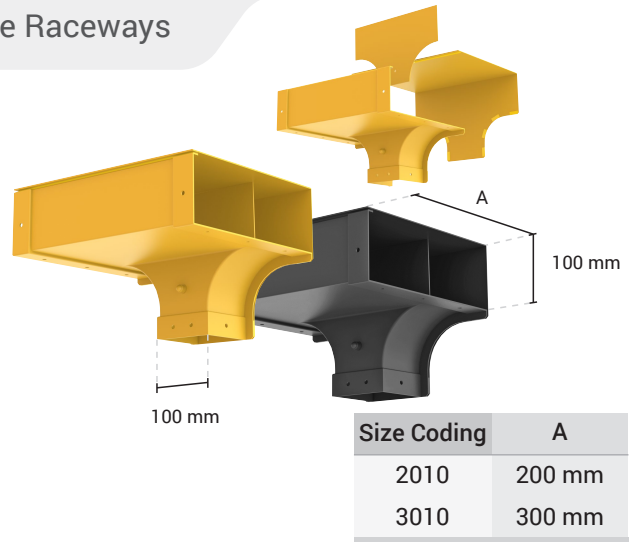


- 1 Cut open the channel as shown below.
- 2 Drill screw holes at the proper screw points.
- 3 Mount the Connection and screw it properly.
- 4 Install the compatible drop outlet.



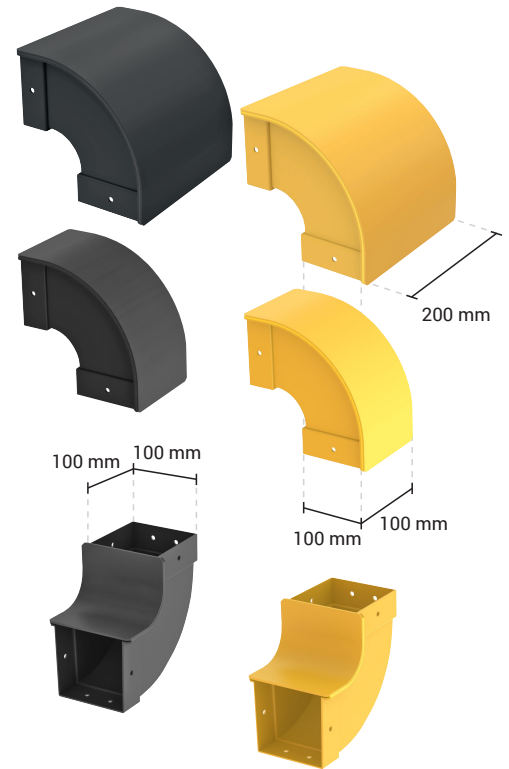
Vertical Line Drops

Description	Order Code	
	Yellow	Black
2010_Vertical Line Drop, W/O Cover	HT00642	HT02902
2010_Vertical Line Drop Cover	HT00641	HT02903
2010_Vertical Line Drop, W/ Cover	YT00310	YT01704
3010_Vertical Line Drop, W/O Cover	HT00359	HT02904
3010_Vertical Line Drop Cover	HT00360	HT02905
3010_Vertical Line Drop, W/ Cover	YT00255	YT01705

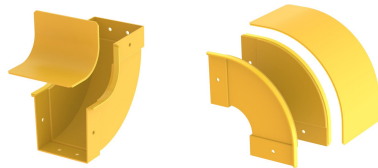


90° Inside/Outside Open Vertical Elbows

Description	Order Code	
	Yellow	Black
100mm_Inside Open Vertical Elbow, W/O Cover	HT00338	HT02906
100mm_Inside Open Vertical Elbow Cover	HT00339	HT02907
100mm_Inside Open Vertical Elbow, W/ Cover	YT00243	YT01706
100mm_Outside Open Vertical Elbow, W/O Cover	HT00341	HT02908
100mm_Outside Open Vertical Elbow Cover	HT00340	HT02909
100mm_Outside Open Vertical Elbow, W/ Cover	YT00244	YT01707
200mm_Outside Open Vertical Elbow, W/O Cover	HT02301	HT02860
200mm_Outside Open Vertical Elbow Cover	HT02302	HT02861
200mm_Outside Open Vertical Elbow, W/ Cover	YT01320	YT01676



Inside Open

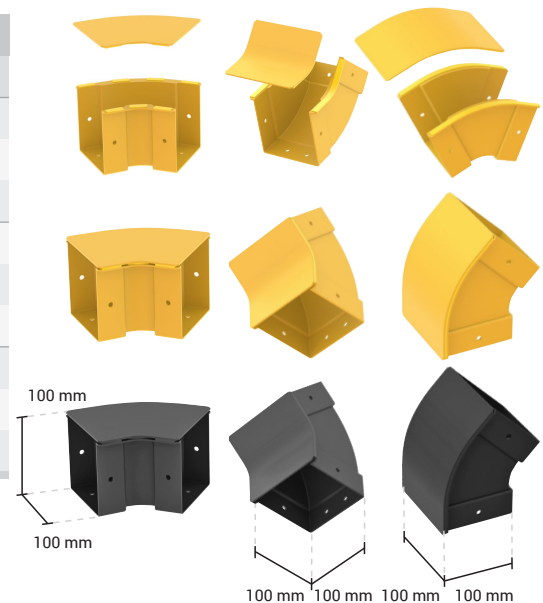


Outside Open

45° Horizontal/Vertical Elbows

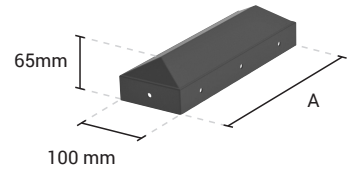
Description	Order Code	
	Yellow	Black
100mm_Horizontal Elbow 45°, W/O Cover	HT00649	HT02910
100mm_Horizontal Elbow 45° Cover	HT00650	HT02911
100mm_Horizontal Elbow 45°, W/ Cover	YT00123	YT01708
100mm_Outside Open Vertical Elbow 45°, W/O Cover	HT00651	HT02912
100mm_Outside Open Vertical Elbow 45° Cover	HT00652	HT02913
100mm_Outside Open Vertical Elbow 45°, W/ Cover	YT00565	YT01709
100mm_Inside Open Vertical Elbow 45°, W/O Cover	HT00653	HT02914
100mm_Inside Open Vertical Elbow 45° Cover	HT00654	HT02915
100mm_Inside Open Vertical Elbow 45°, W/ Cover	YT00564	YT01710

Horizontal Inside Open Outside Open



Channel End Caps

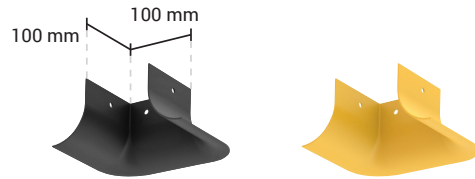
Description	Order Code	
	Yellow	Black
100mm_Channel End Cap	YT00248	YT01711
200mm_Channel End Cap	YT00311	YT01712
300mm_Channel End Cap	YT00091	YT01713



A
100 mm
200 mm
300 mm

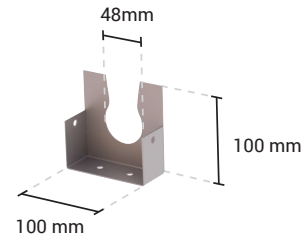
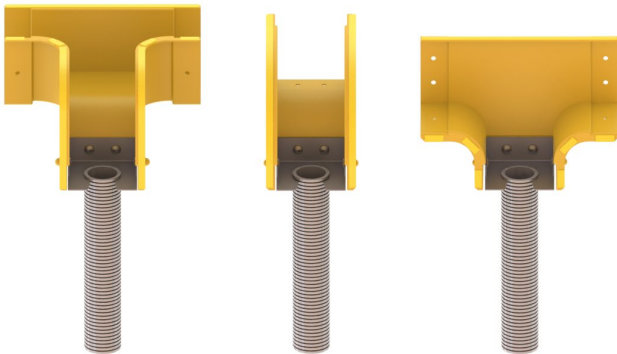
Accessory Outlets

Description	Order Code	
	Yellow	Black
100mm_Bend Radius Outlet Trumpet	YT00250	YT01714



Compatible with all 100 mm drop outlets

Description	Order Code
Flex Tube Adapter-48-1	YT00320



Compatible with all 100 mm drop outlets

Flex Tubes

Description	Order Code	
	Yellow	Black
Single Wall Slitted Flex Tube-48	YT00644	YT01622



Surface Hanging Supports - I Profiles

Description	Order Code
100mm_I11 Threaded Rod Hanging Support	YT00061
200mm_I12 Threaded Rod Hanging Support	YT00315
300mm_I13 Threaded Rod Hanging Support	YT00316



For one side hanging M14 or M16 rod sizes are recommended
For two sides hanging M12 or M14 rod sizes are recommended

Installation Options

Underfloor Hanging



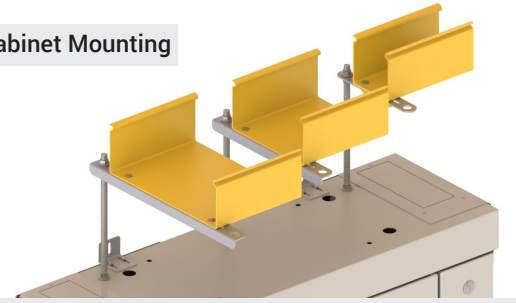
Ceiling Hanging



Ladder Mounting

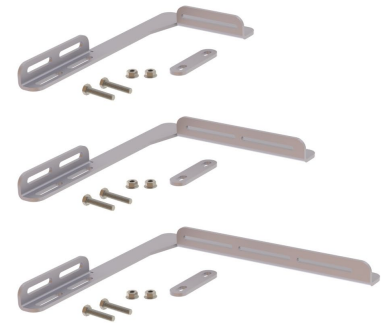


Over Cabinet Mounting



Ladder Hanging Supports - L Profiles

Description	Order Code
100mm_L11 Cable Ladder Connection Set	YT00645
200mm_L12 Cable Ladder Connection Set	YT00646
300mm_L13 Cable Ladder Connection Set	YT00647



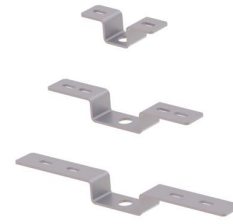
Installation Options

Supplied with M8 bolt and nut set



Surface Hanging Supports - U Profiles

Description	Order Code
100mm_U11 Threaded Rod Hanging Support	HT00096
200mm_U12 Threaded Rod Hanging Support	HT00514
300mm_U13 Threaded Rod Hanging Support	HT00515



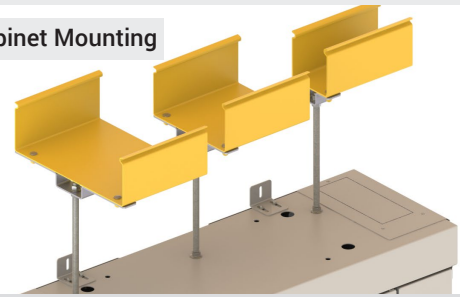
Installation Options

M14 or M16 rod sizes are recommended

Underfloor Hanging

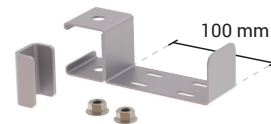


Over Cabinet Mounting



Hanging Supports - C Profiles

Description	Order Code
100mm_C11 Threaded Rod Hanging Support	YT01011



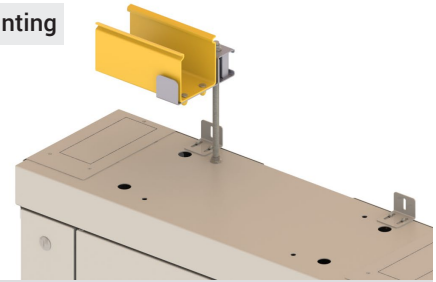
Installation Options

M10 or M12 rod sizes are recommended

Ladder Mounting



Over Cabinet Mounting

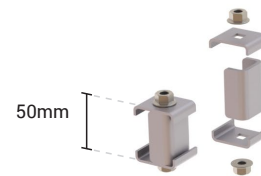


Underfloor Hanging



Ladder Mounting Clamp

Description	Order Code
50mm_LC1 Ladder Clamp Set	YT01012



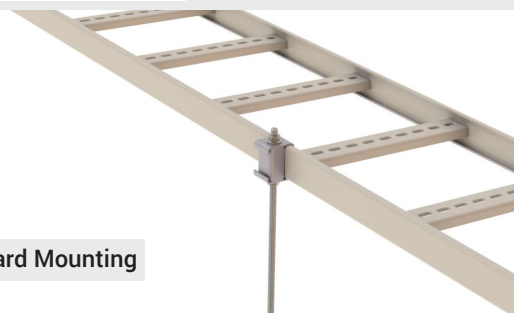
Installation Options

M10 or M12 rod sizes are recommended

Upward Mounting

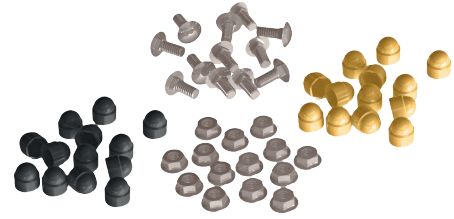


Downward Mounting



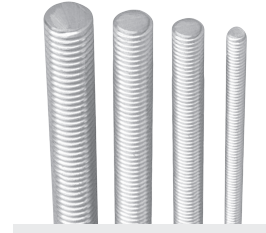
Raceway Fastening Components

Description	Order Code	
	Yellow	Black
Bolt+Nut+Cap Set	YT00259	YT01317



Galvanized Steel Rods and Nuts

Description	Order Code
M10 Threaded Rod, Galvanized-1M	HT00350
M12 Threaded Rod, Galvanized-1M	HT01215
M14 Threaded Rod, Galvanized-1M	HT01216
M16 Threaded Rod, Galvanized-1M	HT01217



Description	Order Code
DIN 6923 M10 Flanged Nut, Galvanized	HT00890
DIN 6923 M12 Flanged Nut, Galvanized	HT01218
DIN 6923 M14 Flanged Nut, Galvanized	HT01219
DIN 6923 M16 Flanged Nut, Galvanized	HT01220

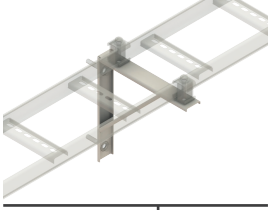




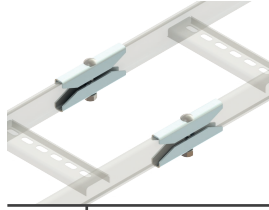
DATA CENTER PATHWAY STRUCTURES

Cable Pathway and Management Systems

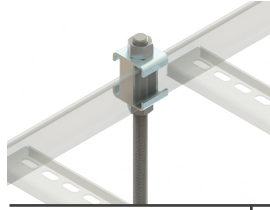
Wall Mounting Triangle Bracket



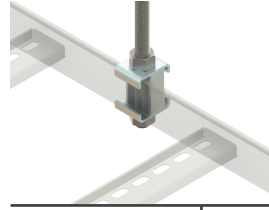
Straight Ladder Splicing Kit



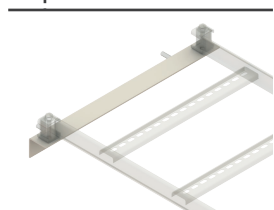
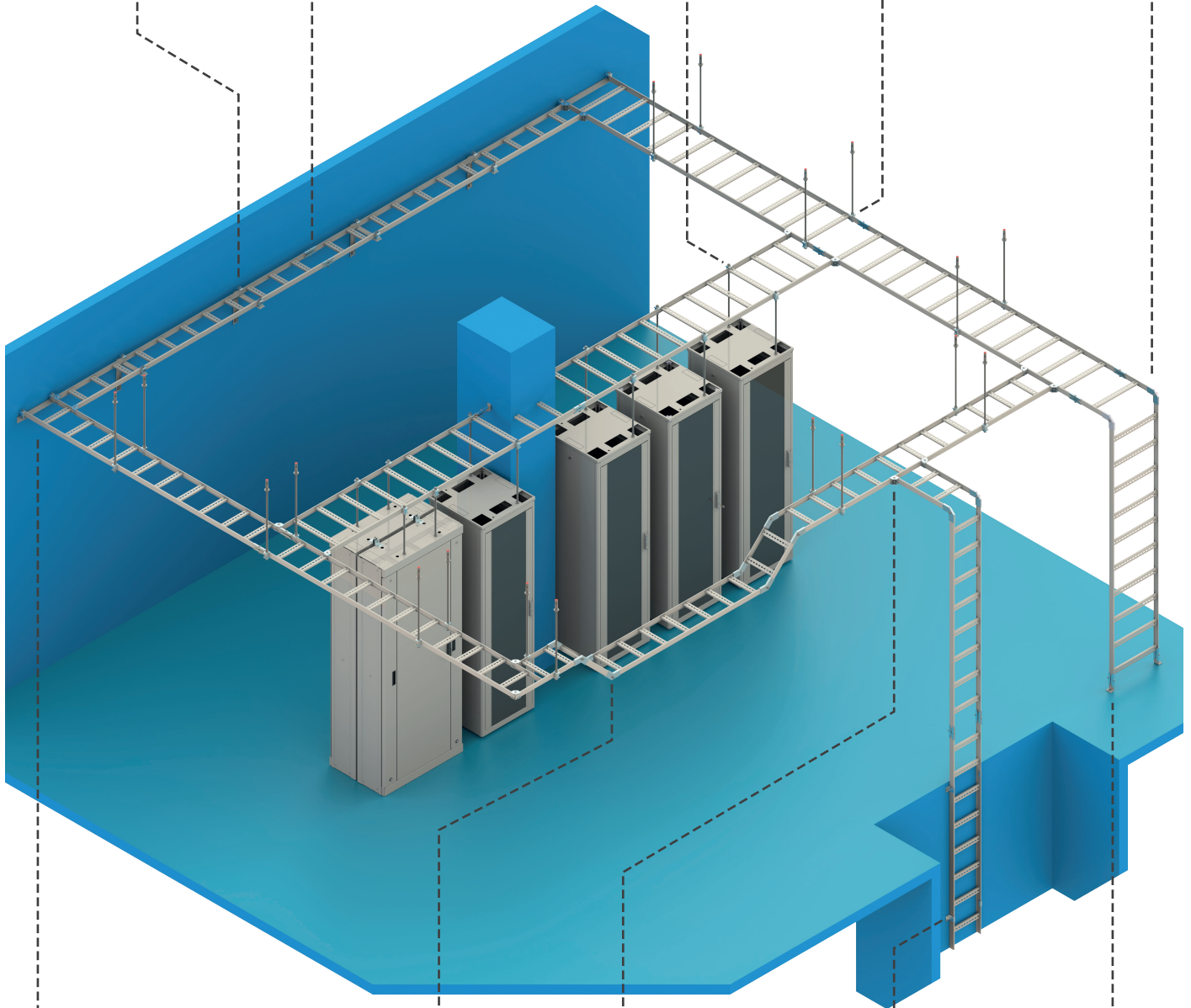
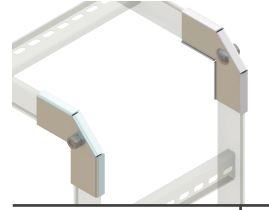
Over Cabinet Threaded Rod



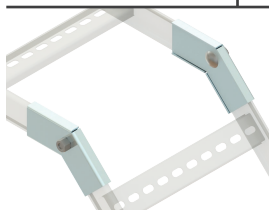
Ceiling Hanging Threaded Rod



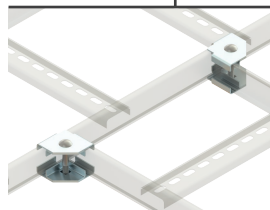
90° Vertical Drop Splicing Kit



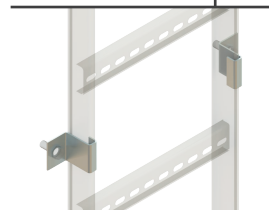
Wall Mounting "L" Bracket



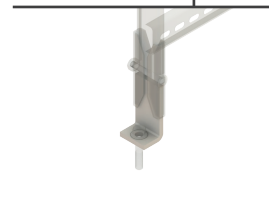
45° Vertical Drop Splicing Kit



Corner Splicing Kit



Wall Mounting "U" Clamp



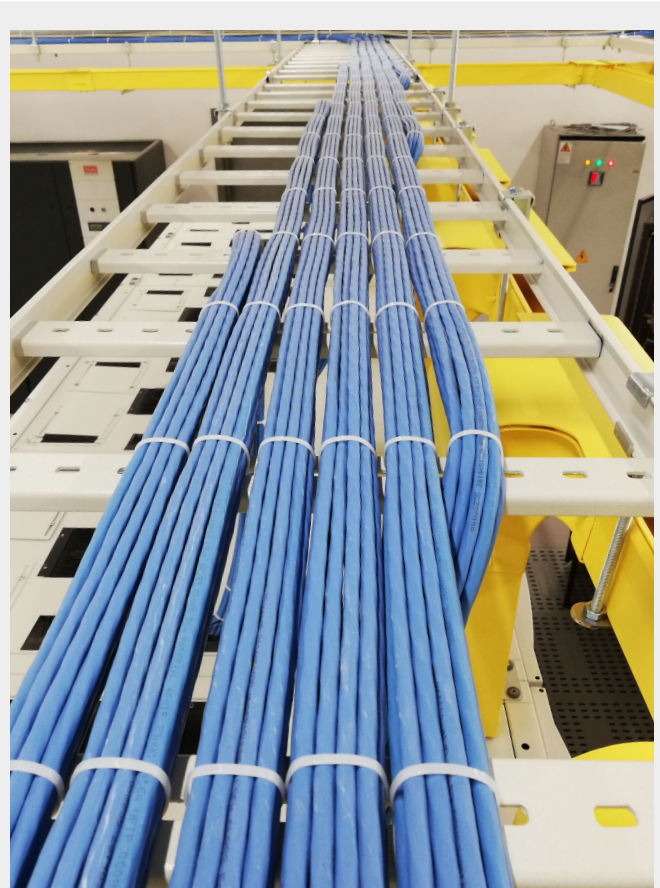
Ladder End Mounting Bracket

The pathway system that Samm offers is designed for cable management in data centers and system halls. The system mainly uses cable ladders, suspended from the ceiling and used as a support for the raceway system. The pathway system has various accessories to setup the ladders in many positions, over cabinets, up the walls, along the walls and even under the flooring.

Pathway structures protect the cables from surrounding conditions, and simplify the process of cable management, network connections reconfiguring or troubleshooting.

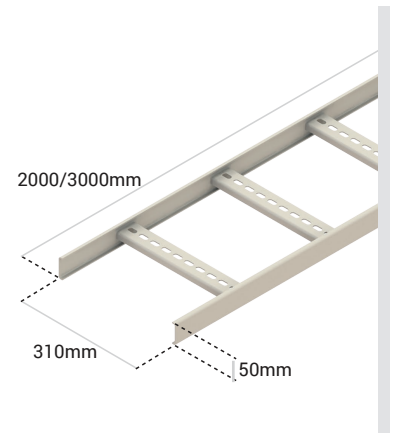
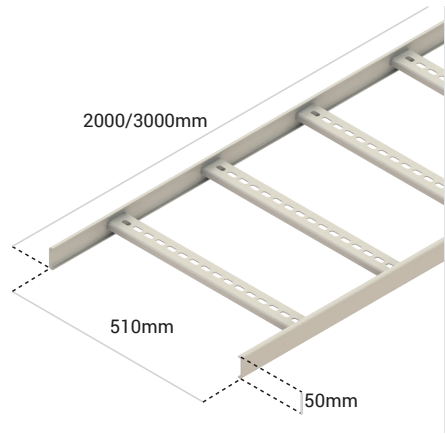
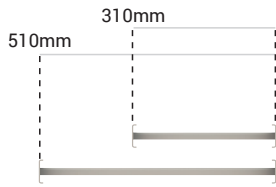
Pathway system key features:

- ✓ Roll form construction
- ✓ Robust and strong design
- ✓ Wide range accessory variety
- ✓ Epoxy polyester powder coating



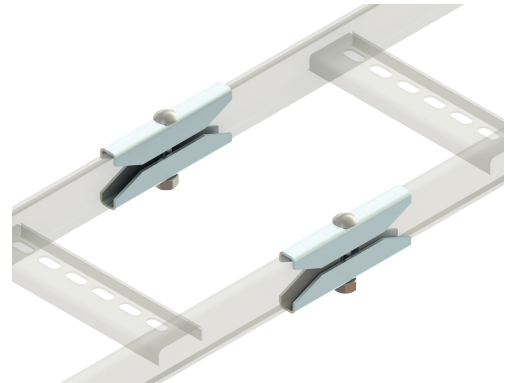
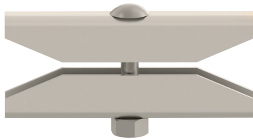
Cable Ladders

Description	Order Code
310mm Cable Ladder_2MT 310LDR_2M	MT13162
510mm Cable Ladder_2MT 510LDR_2M	MT13163
310mm Cable Ladder_3MT 310LDR_3M	MT13164
510mm Cable Ladder_3MT 510LDR_3M	MT13165



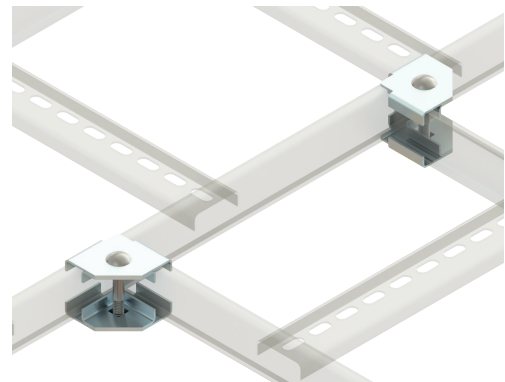
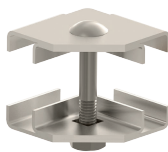
Straight Ladder Splicing Kit

Description	Order Code
Straight Ladder Splicing Kit LD-SPLK-180	MT13166



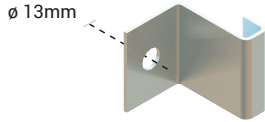
Corner Splicing Kit

Description	Order Code
Corner Splicing Kit LD-CSPLK-90	MT13167

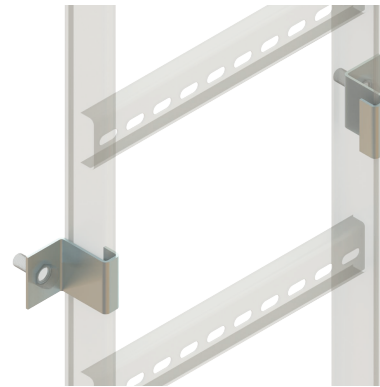


Wall Mounting "U" Clamp

Description	Order Code
Wall Mounting "U" Clamp LDWMUC	MT13168

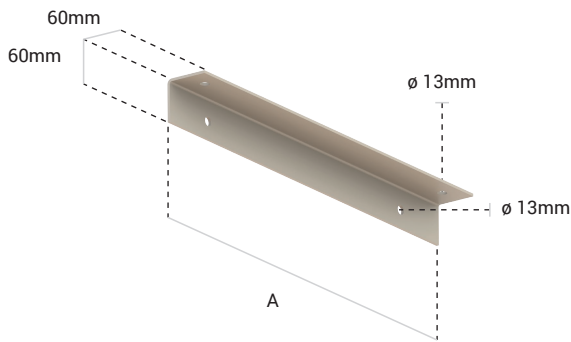


For Wall Mounting, Order 1 Set of **LD-MS-1** | Page 18

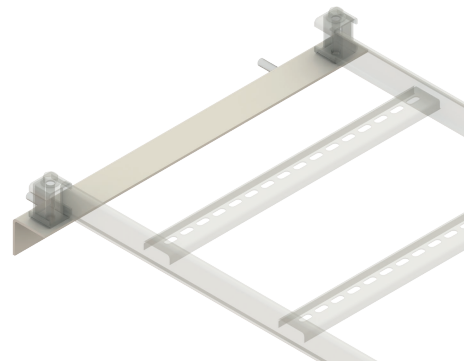


Wall Mounting "L" Bracket

Description	Order Code
Wall Mounting "L" Bracket - 310 LDWMLB-310	MT13169
Wall Mounting "L" Bracket - 510 LDWMLB-510	MT13170



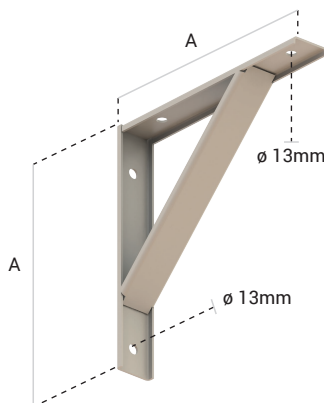
For Wall Mounting, Order 2 Sets of **LD-MS-1** | Page 18
 For Ladder Mounting, Order 2 Sets of **LD-FCS-M12** | Page 17



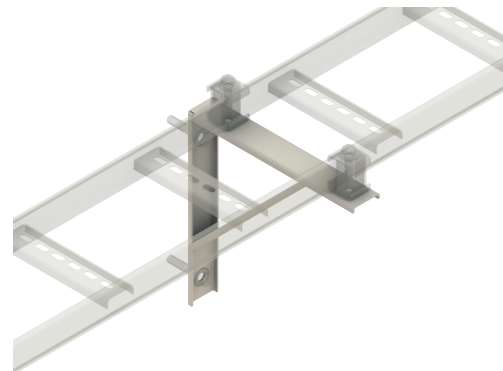
Ladder Size	A
510mm	600mm
310mm	400mm

Wall Mounting Triangle Bracket

Description	Order Code
Wall Mounting Triangle Bracket - 310 LD-WMTB-310	MT13171
Wall Mounting Triangle Bracket - 510 LD-WMTB-510	MT13172



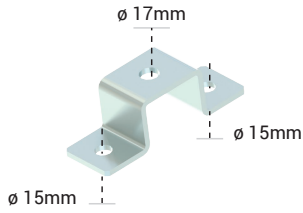
For Wall Mounting, Order 2 sets of **LD-MS-1** | Page 18
 For Ladder Mounting, Order 2 Sets of **LD-FCS-M12** | Page 17



Ladder Size	A
510mm	600mm
310mm	400mm

Ceiling Hanging "U" Profile

Description	Order Code
Ceiling Hanging "U" Profile LD-CHUP	MT13173

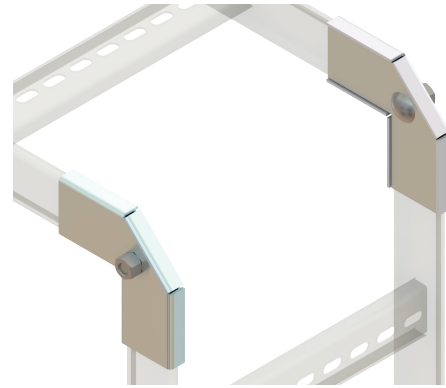


For Ceiling Mounting, Order 1 Set of **LD-MS-7** | Page 18



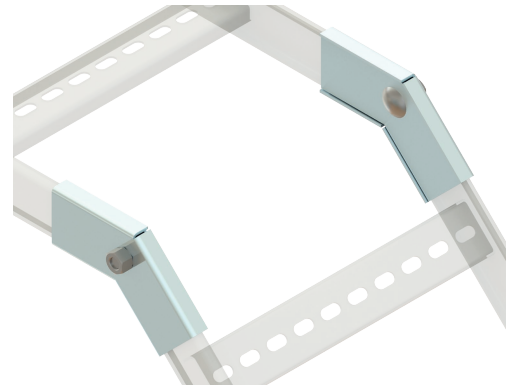
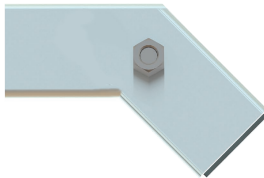
90° Vertical Drop Splicing Kit

Description	Order Code
90° Vertical Drop Splicing Kit LD-SPLK-90	MT13174



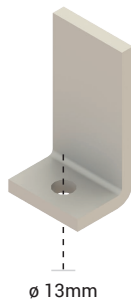
45° Vertical Drop Splicing Kit

Description	Order Code
45° Vertical Drop Splicing Kit LD-SPLK-45	MT13175

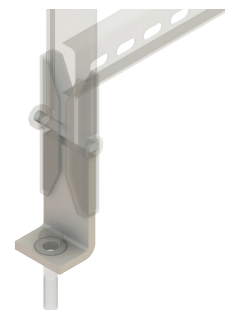


Ladder End Mounting Bracket

Description	Order Code
Ladder End Mounting Bracket LD-EMB	MT13176

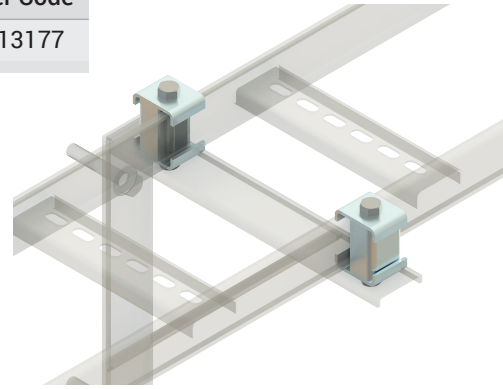
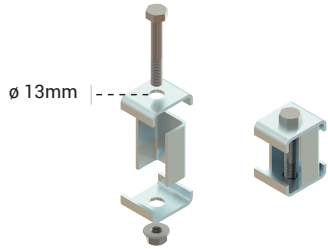


For Surface Mounting, Order 1 Set of **LD-MS-1** | Page 18



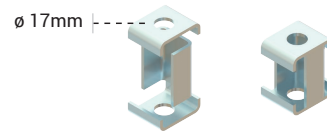
Ladder Fixation Clamp Set

Description	Order Code
Ladder Fixation Clamp Set - M12 LD-FCS-M12	MT13177

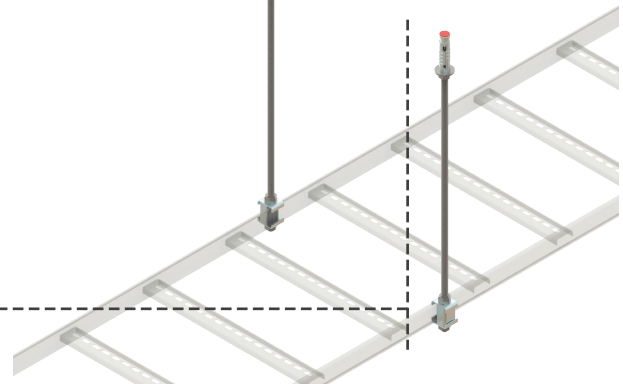
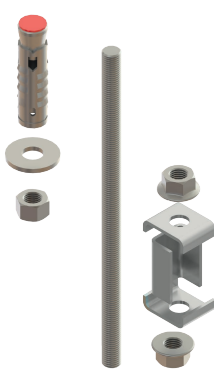


Ladder Hanging Clamp Sets

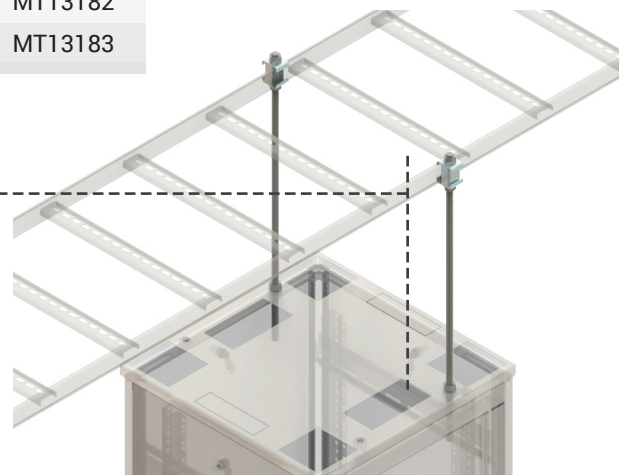
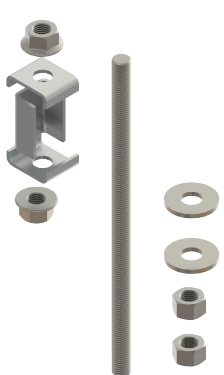
Description	Order Code
Ladder Hanging Clamp Bracket - M16 LD-HCB-M16	MT13178



Description	Order Code
Ceiling Hanging Threaded Rod Sets	Order Code
Ceiling Hanging Threaded Rod Set - 200cm LD-CH-TRS-200	MT13179
Ceiling Hanging Threaded Rod Set - 100cm LD-CH-TRS-100	MT13180



Description	Order Code
Over Cabinet Threaded Rod Sets	Order Code
Over Cabinet Threaded Rod Set - 100cm LD-OC-TRS-100	MT13181
Over Cabinet Threaded Rod Set - 75cm LD-OC-TRS-75	MT13182
Over Cabinet Threaded Rod Set - 50cm LD-OC-TRS-50	MT13183



Mounting Sets

Description	Order Code
M12 Bolt + Sleeve Anchor + Flat Washer LD-MS-1	MT13184
M16 Threaded Rod (200cm) + 3 Nuts + Sleeve Anchor + Flat Washer LD-MS-2	MT13185
M16 Threaded Rod (100cm) + 3 Nuts + Sleeve Anchor + Flat Washer LD-MS-3	MT13186
M16 Threaded Rod (100cm) + 4 Nuts + 2 Flat Washers LD-MS-4	MT13187
M16 Threaded Rod (75cm) + 4 Nuts + 2 Flat Washers LD-MS-5	MT13188
M16 Threaded Rod (50cm) + 4 Nuts + 2 Flat Washers LD-MS-6	MT13189
M12 2 Wedge Anchors + 2 Nuts + 2 Flat Washers LD-MS-7	MT13190

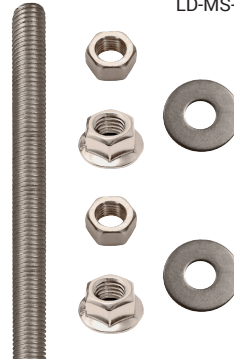
LD-MS-1



LD-MS-2
LD-MS-3



LD-MS-4
LD-MS-5
LD-MS-6



LD-MS-7





telecom.samm.com/create-account

Create an account to receive our
news, updates and discounts.



TURKIYE

Company

SAMM Teknoloji İletişim San. ve Tic. A.Ş.

Address

GOSB İhsandede Cd. 800. Sok No: 802,
41400 Gebze-Kocaeli, Türkiye

Telephone

+90 444 1 726 / +90 (262) 677 16 80
(Fax) +90 (262) 677 16 81

Email

info@samm.com

GERMANY

Company

SAMM GmbH

Address

Niederstraße 18
40789 Monheim/Deutschland

Telephone

+49 176 814 655 76
+49 176 814 655 84

Email

de@samm.com

Telecom Group

Website

telecom.samm.com

Email

telecom@samm.com



Our Website