

A Series Floor Standing Server Rack



Standard

Comply with ANSI/EIA RS-310-D, DIN41497 part 1, IEC297-2, DIN41494 part 7, GBIT3047.2-92 standard.

Feature

- 19 inch width standard;
- Removable Side Panels, side locks optional;
- Knock off hole for entering cable on both top cover, bottom panel , real panel
- Turning angle of front door is over 180 degrees
- Easy mounting installation
- Unassembled package saving shipping space
- Fan, Shelf, PDU are optional-Vertical Cable Management 800 W, LED Light with Door sensor

Loading Capacity

900KG

Degree of Protection

IP20

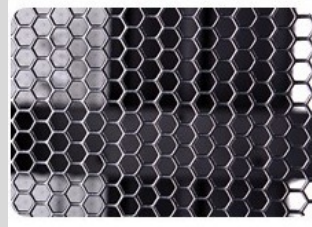
Material

SPCC Cold Rolled Steel
Thickness:2.0mm-1.2mm-1.0mm

Surface Finish:

Powder coating

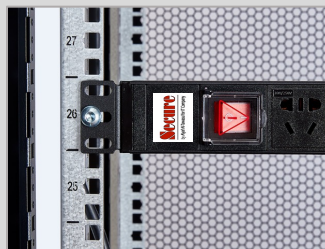
Cabinet details



Hexagon vented holes



Fan group optional



Zinc plated mounting profile



Removable side panels (Side lock optional)

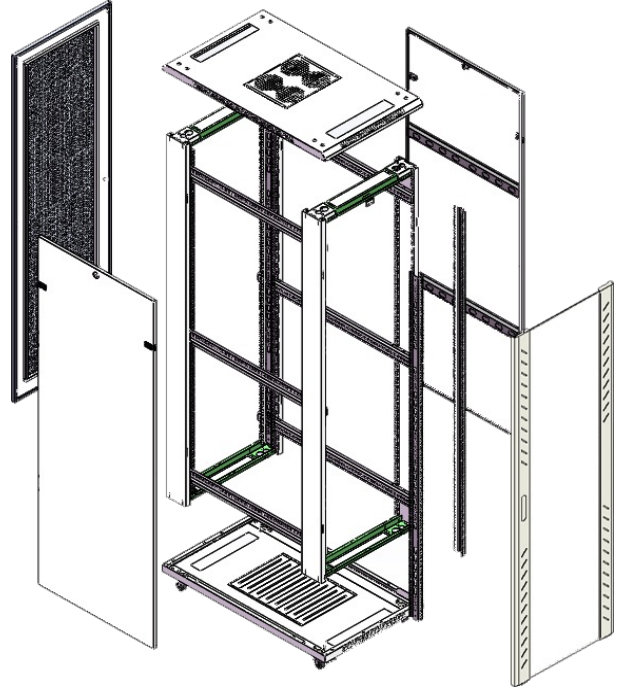
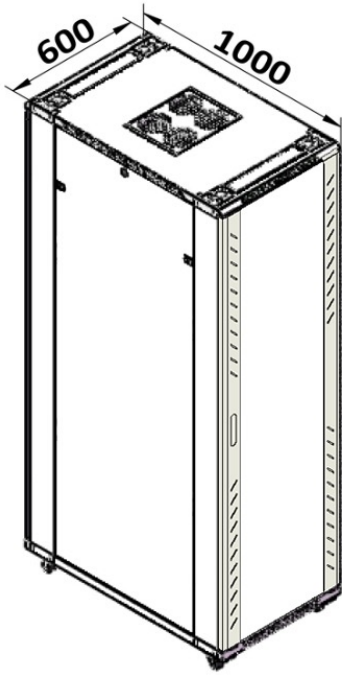


Cable entrance on rear panel

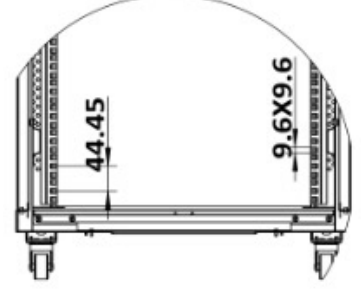
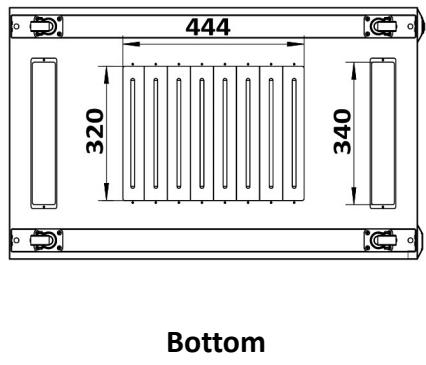
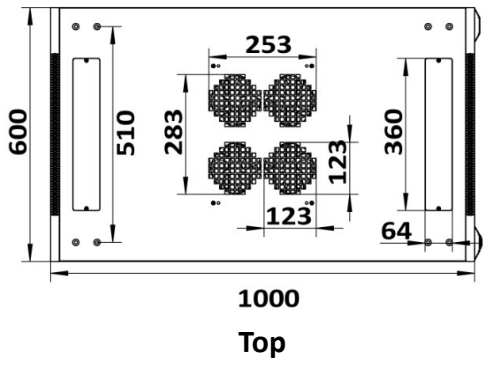
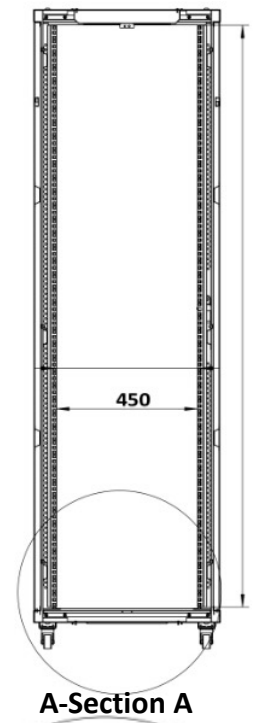
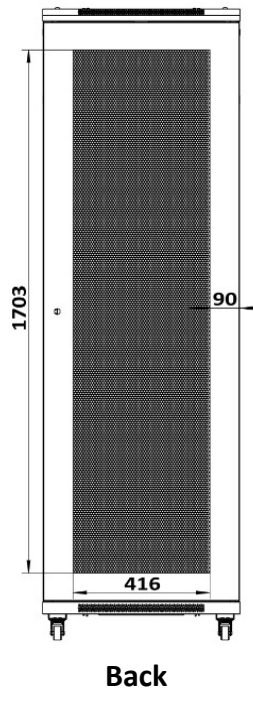
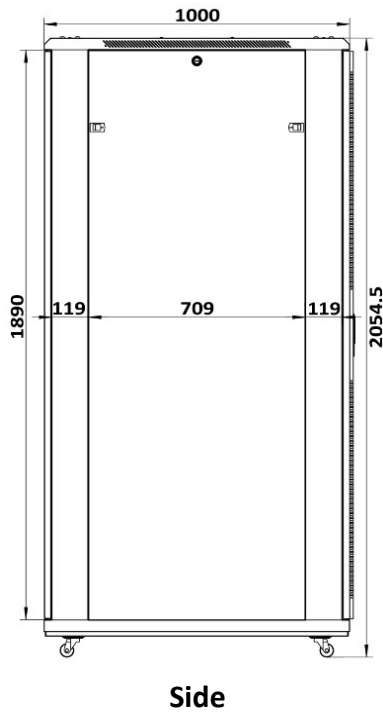
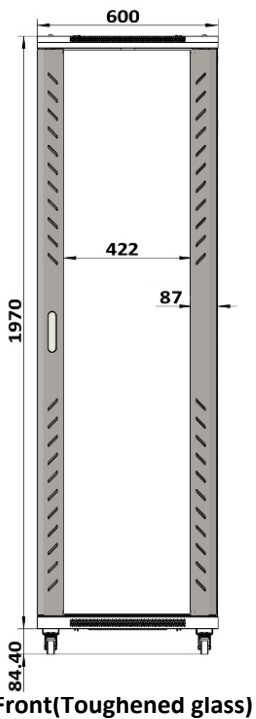


Ground wire optional

A Series Floor Standing Server Rack



Main dimension(42U 600 x 1000mm)



Specification

Model No.	Capacity	Width	Depth	Height	Volume	Standard accessories
	(U)	(mm)	(mm)	(mm)	(CBM)	
A3.6618	18	600	600	987	0.131	2 fans
A3.6818			800		0.152	4 fans
A3.6018			1000		0.182	4 fans
A3.8818		800	800		0.212	4 fans
A3.8018			1000		0.240	4 fans
A3.6622	22	600	600	1164	0.146	2 fans
A3.6822			800		0.169	4 fans
A3.6022			1000		0.202	4 fans
A3.8822		800	800		0.238	4 fans
A3.8022			1000		0.267	4 fans
A3.6627	27	600	600	1387	0.166	2 fans
A3.6827			800		0.189	4 fans
A3.6027			1000		0.227	4 fans
A3.8827		800	800		0.268	4 fans
A3.8027			1000		0.299	4 fans
A3.6632	32	600	600	1609	0.186	2 fans
A3.6832			800		0.211	4 fans
A3.6032			1000		0.252	4 fans
A3.8832		800	800		0.301	4 fans
A3.8032			1000		0.333	4 fans
A3.6637	37	600	600	1832	0.229	2 fans
A3.6837			800		0.265	4 fans
A3.6037			1000		0.315	4 fans
A3.8837		800	800		0.364	4 fans
A3.8037			1000		0.405	4 fans
A3.6642	42	600	600	2054	0.248	2 fans
A3.6842			800		0.285	4 fans
A3.6042			1000		0.339	4 fans
A3.8842		800	800		0.394	4 fans
A3.8042			1000		0.437	4 fans
A3.6647	47	600	600	2276	0.291	2 fans
A3.6847			800		0.339	4 fans
A3.6047			1000		0.402	4 fans
A3.8847		800	800		0.457	4 fans
A3.8047			1000		0.509	4 fans

A Series Floor Standing Server Rack

Main Parts



S/N	Specification	Quantity	Unit	Material	Surface Finish	Remark
1	Frame	2	Piece	SPCC cold rolled steel t1.0	Powder coated	
2	Side panel	2	Piece	SPCC cold rolled steel t1.0	Powder coated	
3	Top cover	1	Piece	SPCC cold rolled steel t1.2	Powder coated	
4	Bottom panel	1	Piece	SPCC cold rolled steel t1.2	Powder coated	
5	Mounting profile	4	Piece	SPCC cold rolled steel t2.0	Zinc plated	
6	Mounting rail	4/6	Piece	SPCC cold rolled steel t1.2	Powder coated	
7	Front door	1	Piece	5MM toughened glass door/SPCC t1.2	Powder coated	
8	Back door	1	Piece	Single open mesh vented door t1.2	Powder coated	
9	Castors	4	Piece			
10	Leveling feet	4	Piece			
11	Lock	2	Piece			with 2 keys
12	M6 Square nut	30	Piece	Steel	Color Zinc	
13	M6 B-head screw	30	Piece	Steel	Color Zinc	
14	Allen wrench	1	Piece	Steel	Color Zinc	

Definition of door


Model No.	Front door	Rear door
AS	Toughened glass door with round vented border(Handle Lock)	Mesh vented door(small round lock)
A2	Toughened glass door (small round lock)	Solid metal door(small round lock)
A3	Mesh vented door	Mesh vented door(small round lock)

Remark:if choose split rear door will use handle lock

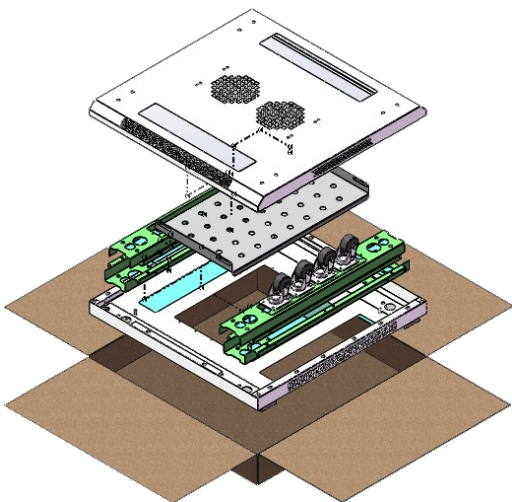
Color

RAL9004	RAL7035
black	grey
	

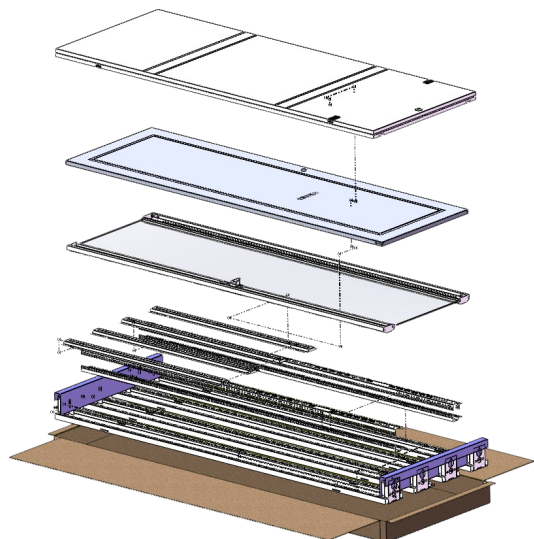
Definition of Ornament strip color for toughened glass door

Blue	Red
	

Unassembled packing details(2-4 cartons)



carton 1:top cover+bottom panel+1 shelf
carton 3:extra shelf if needed



carton 2:frame+mouting profile+door+side panel
carton 4:vertical management if needed